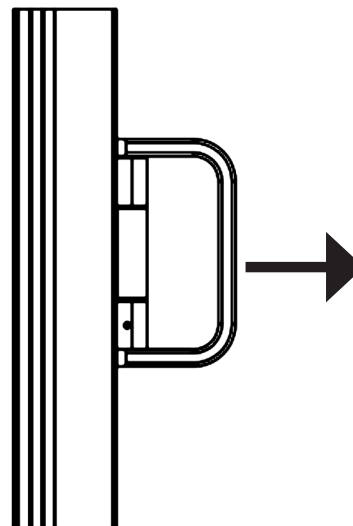
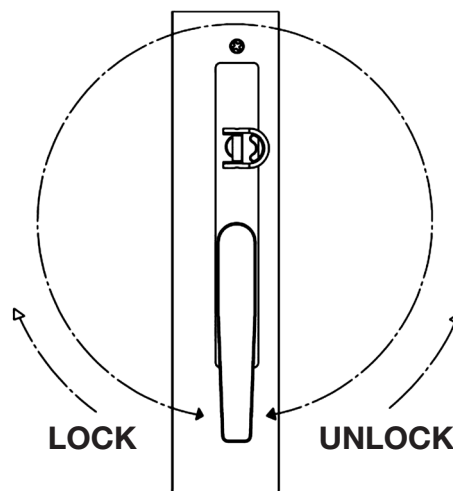


# IMPORTANT

# PRODUCT WARRANTY INFORMATION



Side View



Front View

## DesignerLine™ Bi-fold Door CENTRE FLUSH BOLT

### Operating Instructions

When operating the flush bolt never use excessive force. This can damage the lock and void warranty.

### Opening

To open the flush bolt pull the D-Handle towards you and rotate the Flush bolt handle in an anticlockwise direction one full rotation. Then push the D-Handle away from you opening the panels adjacent to the Flush bolt. When multiple flush bolts are used on a door please operate flush bolt from the opening end first and work your way along.

### Closing

To close, pull the D-Handle towards you closing the adjacent panels. Pull so the panels are firmly against the seals and rotate the flushbolt handle clockwise one full rotation. When multiple flush bolts are used on a door please operate flush bolt from the jamb first.