

INSTALLATION PROCEDURES

ALUMINIUM WINDOWS



BEFORE INSTALLATION

- Check the Window Label to ensure that the window has the appropriate Performance Rating (wind / water resistance) for the installation location.
- Lift carefully from trucks. **DO NOT** use slings.
- Carry in a vertical position with sill at bottom when handling or transporting.
- Avoid knocks and abrasions.
- Stack carefully on edge to avoid damage to the finish.
- Stack in a dry place and cover to protect against paint, dust, weather, etc.

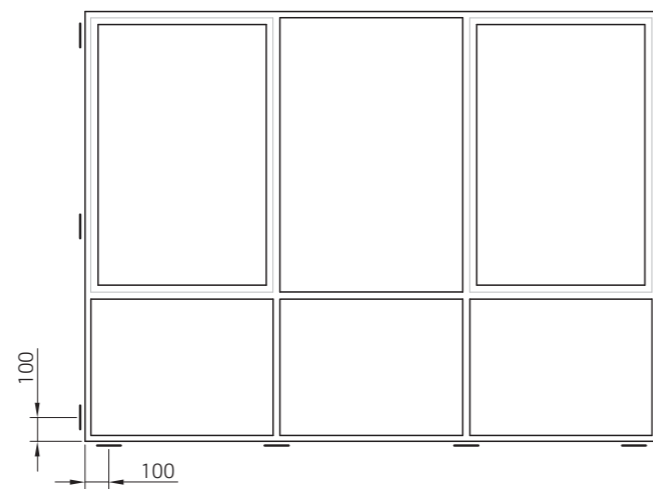
AFTER INSTALLATION

- Protect windows and doors from damage.
- **DO NOT** remove plastic wrap (if provided) until brickwork is completed. Plastic wrap should always be removed after 90 days.
- **Wash off immediately.** Remove wet cement mortar, paints, acids and other chemical spills as they occur.
- Use a soft clean sponge or cloth to clean. Avoid scratching the surfaces. **DO NOT** use scrape tools or trowels on frames.
- Clean up when job is complete with cleanwater and (if required) a mild detergent. Thoroughly rinse with clean water. Ensure that the drainage slots in the frame are clean and allow maximum drainage.

DURING INSTALLATION

- Ensure that there is sufficient clearance around the perimeter of the frame before attempting to install the window. Refer to Installation details on right. If the wall condition is not shown refer to Dowell for the appropriate technical advice.
- Ensure the aluminium frame is insulated from contact with other metals to avoid potential future corrosion of the aluminium. This can be achieved with a bitumen coating of any steelwork around the window or application of a flashing membrane.

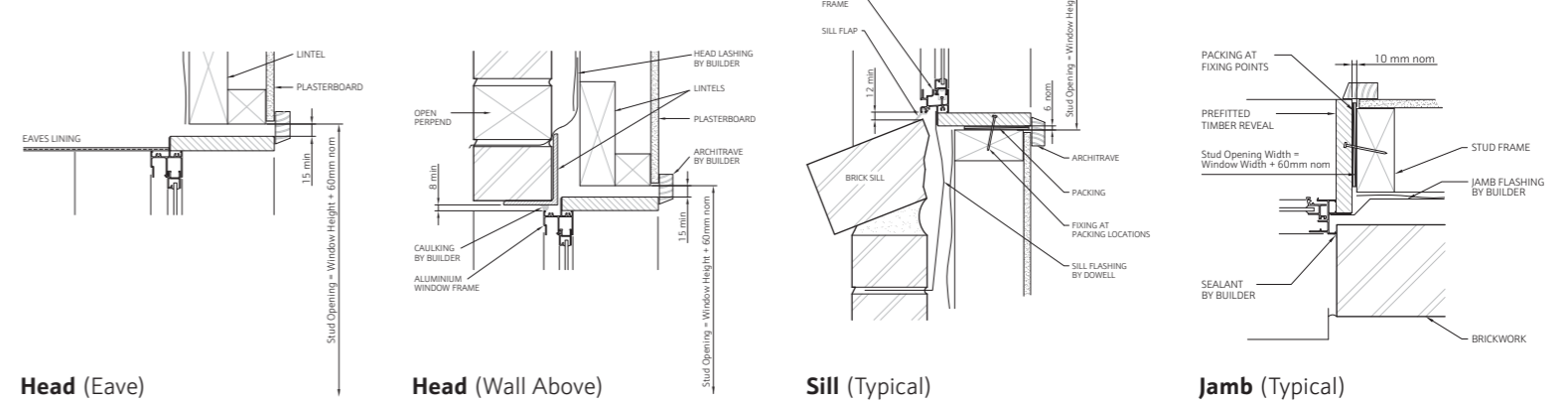
- **DO NOT** distort frame by forcing it into the opening.
- Keep sashes closed while installing the frame.
- Windows and doors are non-load bearing. Ensure adequate clearance above head of window. Allow 10mm clearance from underside of sill to top of sill brick or tile to allow for building settlement.
- **Sill must be straight and level.** Plumb jambs in both directions. Pack frame at sill and jambs only. Frame must be square and out of twist (essential for smooth operation of sashes). Check that the diagonal measurements are equal. Clearance must be maintained between sill brick or tile and window frame as detailed (see diagram).
- Ensure that flashings are correctly fitted.
- Aluminium window frames should **NOT** be in direct contact with brick, concrete, concrete block work or cement rendered surfaces as this can result in severe corrosion in some circumstance.



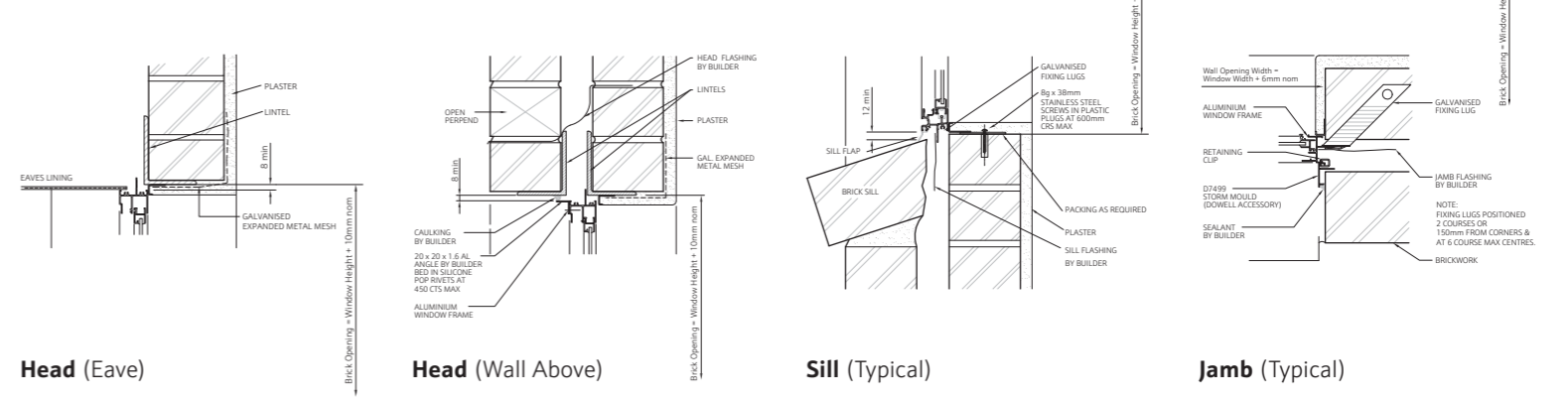
Packing points at jambs and sill
DO NOT PACK HEAD

- **DO NOT** stand on or place loads on the sills or any other part of the frame. **DO NOT** use as support for scaffolding or slide material through the frame.
- Before inserting or operating sliding panels, clean tracks thoroughly to remove any dirt, cement, debris, etc. Consult your nearest Dowell Sales Office if clarification is required.

BRICK VENEER CONSTRUCTION



CAVITY BRICK CONSTRUCTION



WEATHERBOARD CONSTRUCTION

